

**AMMANN**  
**RAMFOS**

**AMC** series

**COMPACTOR**



**MORE VALUE FOR MONEY !**

**AMMANN**  
**RAMFOS**

**A&Y**

**Equipment Ltd**

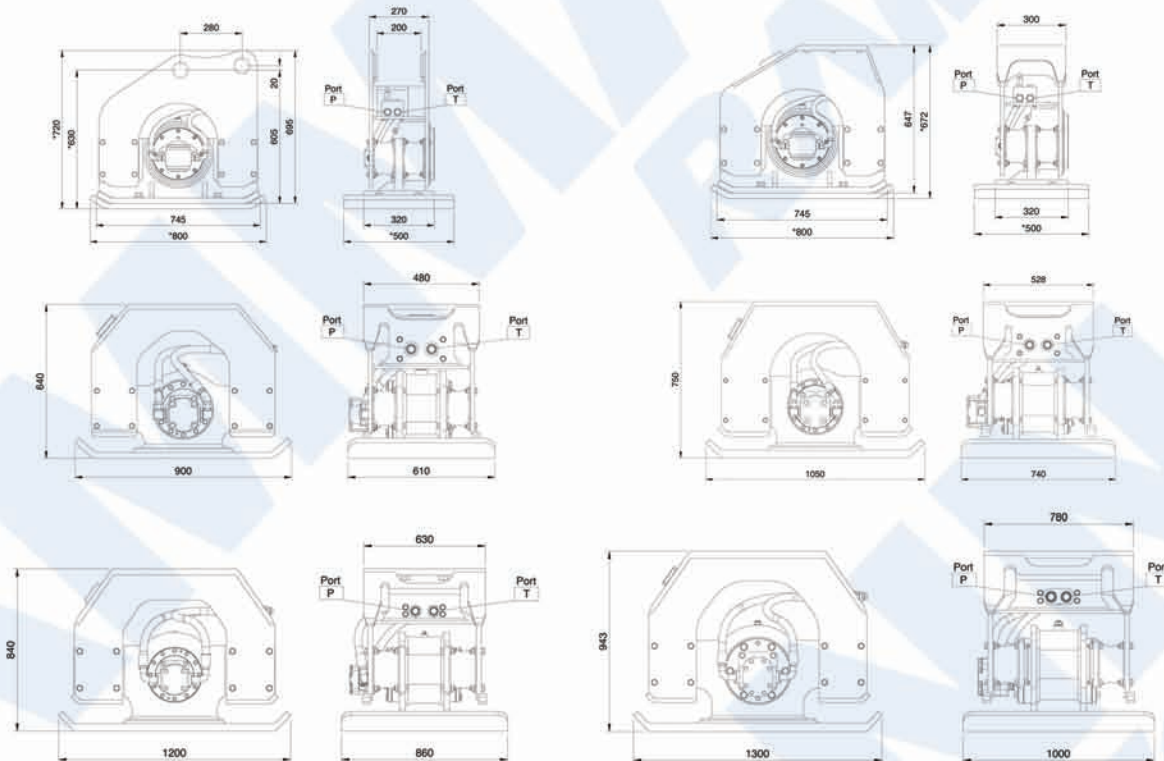
# AMMANN RAMFOS "AMC" series

AMMANN RAMFOS "AMC" plate compactors are developed to maximize productivity & minimize downtime with variety of the highest functions. Operators would experience it with fully satisfaction!!

## Advantages

- Simple and adaptable mounting frame  
Wide variety of quick clamps & adapters available to fit your carriers.
- Hose protection by mono hose block  
Internal hose routing to the mono hose block for maximum protection.
- Elastic cushion rubber  
Protection of machines & operators from violent vibration
- Powerful gear motor  
Prevention of damage caused from pressure shock during startup & shutdown
- Double-check valve  
Protection of motor & bearing from damage caused by shutdown of hydraulic flow
- Valve package
  - Flow control valve  
: Installation on any carrier not equipped with a flow control valve
  - Pressure relief valve  
: Available without re-setting of the carrier's relief valve pressure
  - By-pass check valve  
: packed in mono hose block
- Free lubrication
  - Oil bath continuous lubrication system greatly enhanced life of bearings
  - No additional lubrication

## Dimensions



## Specifications

Model	Unit	AMC250	AMC400	AMC600	AMC1000	AMC1350
Impulse force	tonne	2.8	4.0	6.4	11.2	17.3
Weight						
Adapter mount type	kg	242	400	685	1,000	1,340
Direct mount type	kg	238	409	709	1,065	1,373
Height(H)						
Adapter mount type	mm	676	630	731	860	944
Direct mount type	mm	711	796	941	1,160	1,235
Width (W)	mm	300	610	740	860	1,000
Base plate (W x L)						
Dimension	mm	300 X 796	610 X 996	740 X 1050	860 X 1200	1000 X 1300
Compaction area	m <sup>2</sup>	0.24	0.55	0.78	1.03	1.30
Oil Flow required	lpm	45 - 65	50 - 72	80 - 116	110 - 162	160 - 220
Max. cycle per minute	lpm	2,100	2,000	2,000	2,000	2,000
Operating pressure						
Free load	bar	30 - 50	30 - 50	30 - 50	30 - 50	30 - 50
With load	bar	100 - 220	100 - 138	100 - 138	100 - 138	100 - 138
Optimal range	tonne	4 - 6	6 - 10	11 - 16	17 - 25	26 - 40
Available range	tonne	3.5 - 8	5 - 15	10 - 20	15 - 27	22 - 45

- Note) The weight is including standard mounting adapter, excluding hydraulic hoses, fitting and mounting pins



01789 414525 | sales@aandygroup.com | www.aandygroup.com

**Equipment Ltd** **AMMANN**  
**RAMFOS**